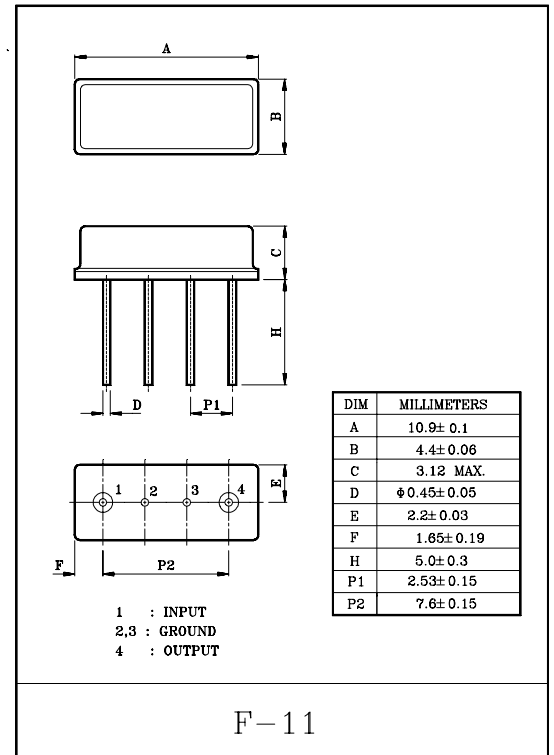


Band pass filters for 400MHz~520MHz Range.

- High stability and reliability with good performance and no adjustment.
- Wide and sharp pass band characteristics.
- Low insertion loss and deep stop band attenuation for interference.
- Terminating Impedance : $150\Omega//0pF$.
- SMD Package : KF402BS~KF518BS(SC-45),
KF402BV~KF518BV(SC-44).

MAXIMUM RATINGS ($T_a=25^\circ C$)

ITEM	SYMBOL	RATING	UNIT
Input Signal Level	IS_{max}	0	dBm
DC Permissive Voltage	V_{DC}	+10	V
Operating Temperature Range	T_{opr}	-10~+50	$^\circ C$
Storage Temperature Range	T_{stg}	-30~+85	$^\circ C$



ITEM LIST

KF402B	KF442B	KF482B
KF406B	KF446B	KF486B
KF410B	KF450B	KF490B
KF414B	KF454B	KF494B
KF418B	KF458B	KF498B
KF422B	KF462B	KF502B
KF426B	KF466B	KF506B
KF430B	KF470B	KF510B
KF434B	KF474B	KF514B
KF438B	KF478B	KF518B

KF402B ~ KF518B

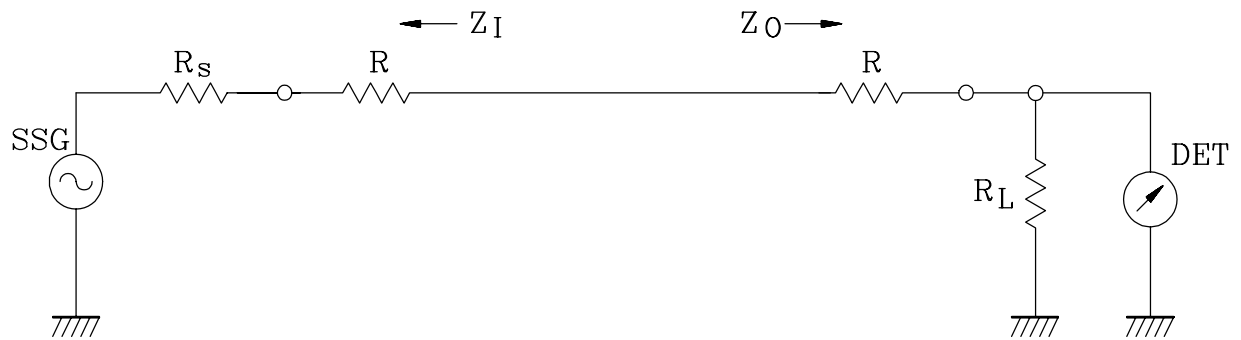
ELECTRICAL CHARACTERISTICS (Temperature $20 \pm 2^\circ\text{C}$, Humidity $65 \pm 5\%$)

ITEMS		SYMBOL	TEST CONDITION	MIN.	TYP.	MAX.	UNIT
Nominal Center Frequency	KF402B	fo	-	-	402	-	MHz
	KF406B				406		
	KF410B				410		
	KF414B				414		
	KF418B				418		
	KF422B				422		
	KF426B				426		
	KF430B				430		
	KF434B				434		
	KF438B				438		
	KF442B				442		
	KF446B				446		
	KF450B				450		
	KF454B				454		
	KF458B				458		
	KF462B				462		
	KF466B				466		
	KF470B				470		
	KF474B				474		
	KF478B				478		
	KF482B				482		
	KF486B				486		
	KF490B				490		
	KF494B				494		
KF498B	498						
KF502B	502						
KF506B	506						
KF510B	510						
KF514B	514						
KF518B	518						
Bandwidth		BW _{3dB}	-	$f_0 \pm 2.0$	-	-	MHz
Insertion Loss		IL _{PASS}	$f_0 \pm 2.0\text{MHz}$	-	-	4.0	dB
Ripple Level		A _{RIP}	$f_0 \pm 2.0\text{MHz}$	-	-	2.0	dB
Rejection Level		IL _{STOP}	$f_0 - 100 \sim f_0 - 40.8\text{MHz}$	55	-	-	dB
			$f_0 + 30 \sim f_0 + 100\text{MHz}$	55	-	-	dB
Input/Output Impedance		Z _i (Z _o)	-	-	150Ω//0pF	-	-

KF402B ~ KF518B

TEST CIRCUIT

REFERENCE LEVEL TEST CIRCUIT

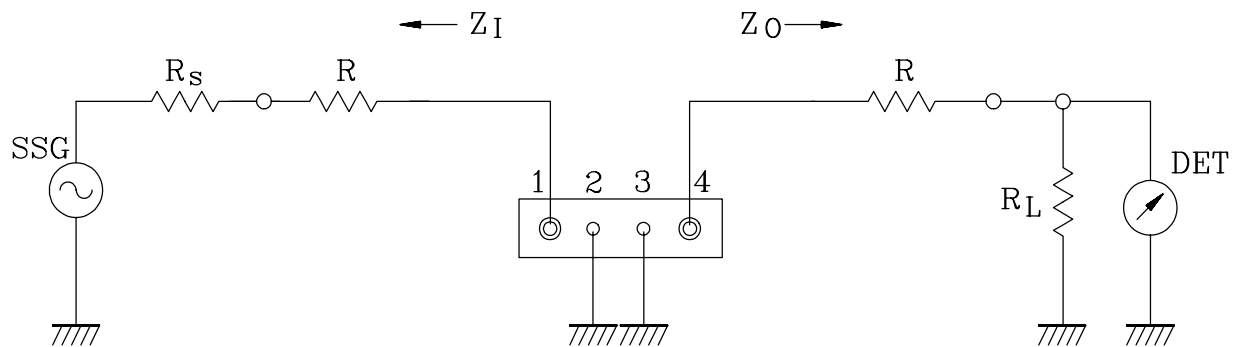


$R_s, R_L : 50\Omega$ (Internal Impedance of Source and Load)

$R : 100\Omega$

$Z_I(Z_O)=R_s(R_L)+R$

MEASUREMENT CIRCUIT



1: Input 2,3: Ground 4: Output

$R_s, R_L : 50\Omega$ (Internal Impedance of Source and Load)

$R : 100\Omega$

$Z_I(Z_O)=R_s(R_L)+R$